

DALLAS

FORT WORTH

LOS ANGELES

SAN FRANCISCO

LAS VEGAS

CHICAGO

BALTIMORE

NEW ENGLAND

HONG KONG

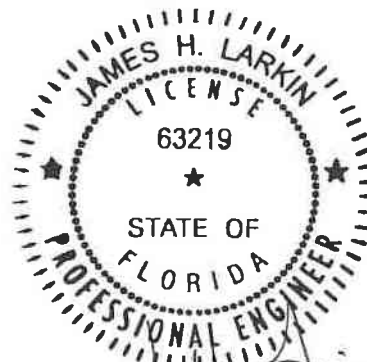
PROJECT: **HD500-T HURRICANE IMPACT**

CLIENT: **ATLAS INC.**

SUBJECT: **WIND PRESSURE CHART THERMALLY BROKEN SYSTEM**

DATE: **SEPTEMBER 17TH, 2020**

**PREVIOUS
SUBMITTAL:** **N/A**



JHL
Sept 18, 2020

DALLAS

FORT WORTH

LOS ANGELES

SAN FRANCISCO

LAS VEGAS

CHICAGO

BALTIMORE

NEW ENGLAND

HONG KONG

STOREFRONT HD500-T SYSTEM

STOREFRONT HD500-T SYSTEM – HORIZONTAL FRAME MEMBERS & MULLIONS

Section Properties of Frame Members

DALLAS

FORT WORTH

LOS ANGELES

SAN FRANCISCO

LAS VEGAS

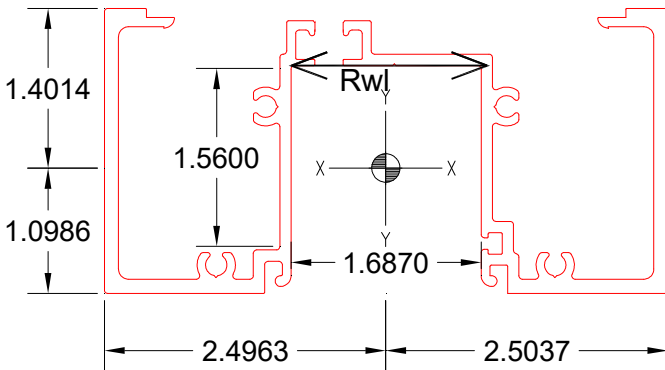
CHICAGO

BALTIMORE

NEW ENGLAND

HONG KONG

Note: The section properties of the thermally broken members were reduced by 15% to account for the effect the thermal break has on the section.



CDC SECTION PROPERTIES

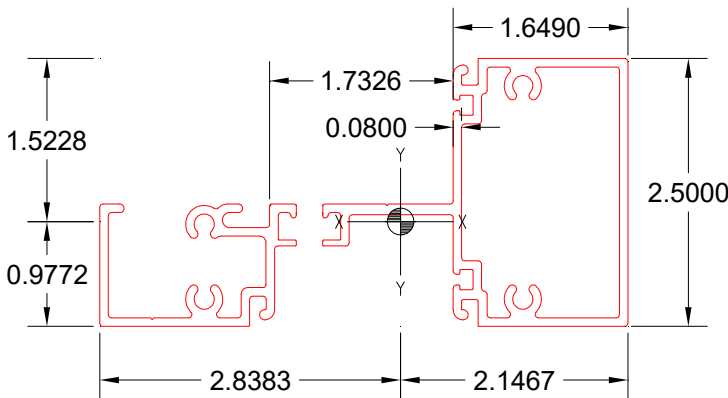
Area	1.891	IN ²
Perim.	34.307	IN
Weight	2.224	LBS/FT

X-X AXIS

Ixx	1.420	IN ⁴
Sxx(max)	1.293	IN ³
Sxx(min)	1.013	IN ³
Rxx	0.867	IN

Y-Y AXIS

Iyy	6.023	IN ⁴
Syy(max)	2.413	IN ³
Syy(min)	2.406	IN ³
Ryy	1.785	IN



CDC SECTION PROPERTIES

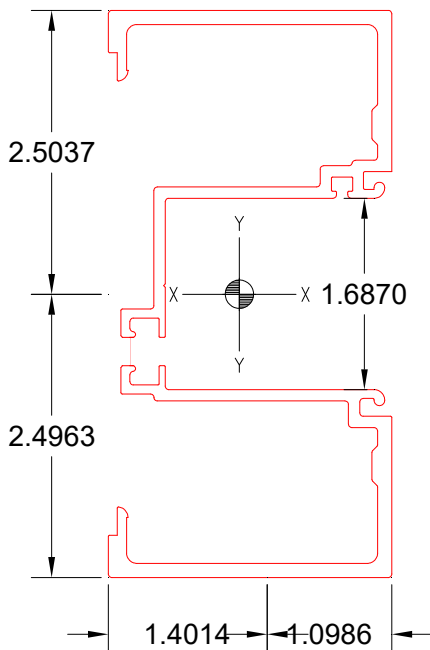
Area	1.548	IN ²
Perim.	26.545	IN
Weight	1.821	LBS/FT

X-X AXIS

Ixx	0.996	IN ⁴
Sxx(max)	1.019	IN ³
Sxx(min)	0.654	IN ³
Rxx	0.802	IN

Y-Y AXIS

Iyy	3.699	IN ⁴
Syy(max)	1.723	IN ³
Syy(min)	1.303	IN ³
Ryy	1.546	IN



CDC SECTION PROPERTIES

Area	1.891	IN ²
Perim.	34.307	IN
Weight	2.224	LBS/FT

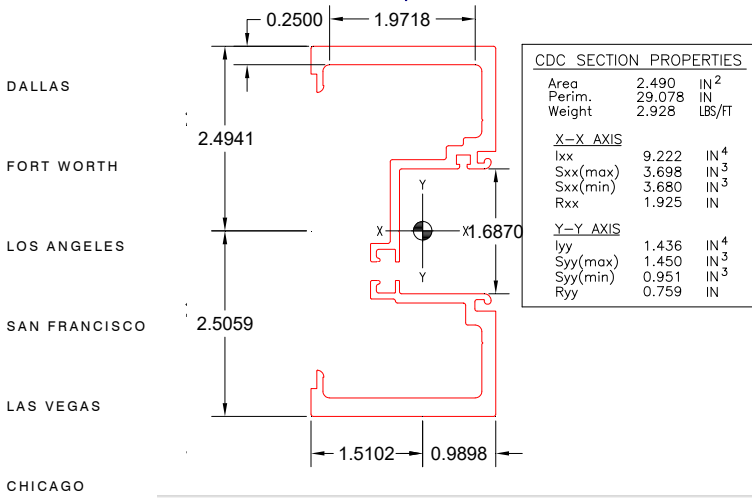
X-X AXIS

Ixx	6.023	IN ⁴
Sxx(max)	2.413	IN ³
Sxx(min)	2.406	IN ³
Rxx	1.785	IN

Y-Y AXIS

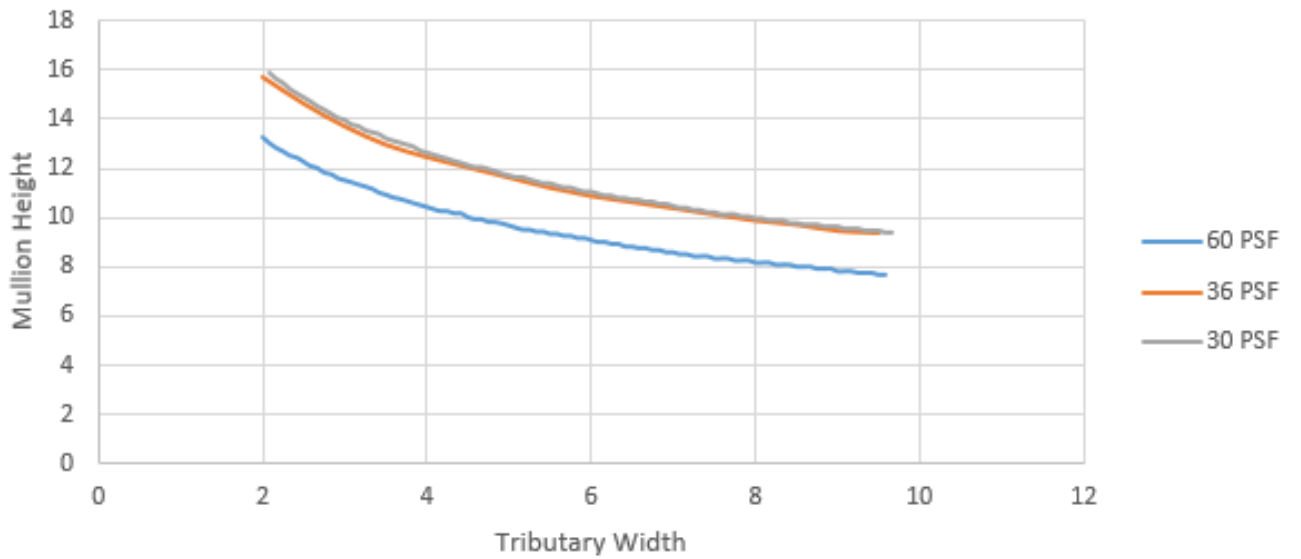
Iyy	1.420	IN ⁴
Syy(max)	1.293	IN ³
Syy(min)	1.013	IN ³
Ryy	0.867	IN

Beam Section Properties



DALLAS
 FORT WORTH
 LOS ANGELES
 SAN FRANCISCO
 LAS VEGAS
 CHICAGO
 BALTIMORE
 NEW ENGLAND
 HONG KONG

Tributary Width Versus Mullion Height Thermally Broken System



Loading Condition – Simply Supported Beam

