



ARCHITECTURAL METALS INC.

2024



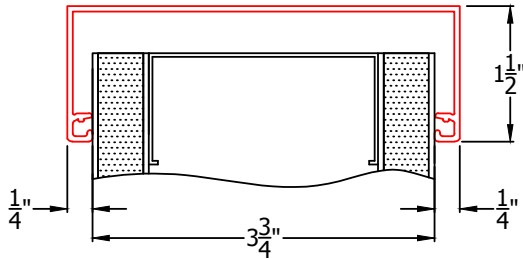
THE SYMBOL
OF SERVICE

DRYWALL INTERIOR SYSTEM

11940 Brittmoore Park Dr. Houston, TX 77041
P: 713-869-9551 F: 713-869-4254
atlasarchmetals.com

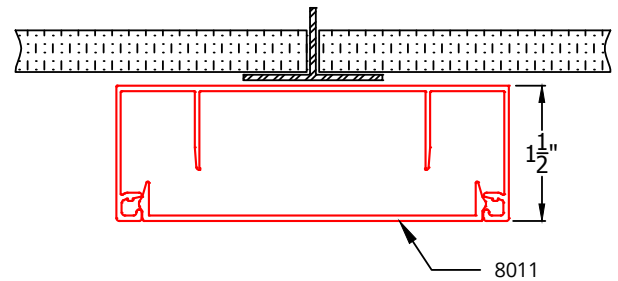


375 SERIES END CAP
PART NUMBER 8000



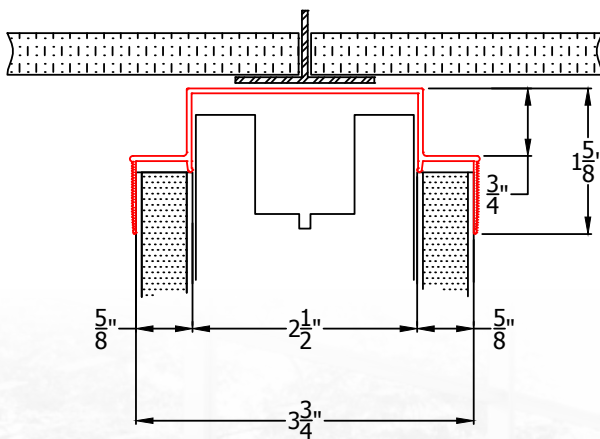
- Clear 202 R1
- Black 356 polyurethane
- Bronze 392 polyurethane

375 SERIES HEAD TRACK
WITH FLUSH CLOSURE
PART NUMBER 8002 & 8011



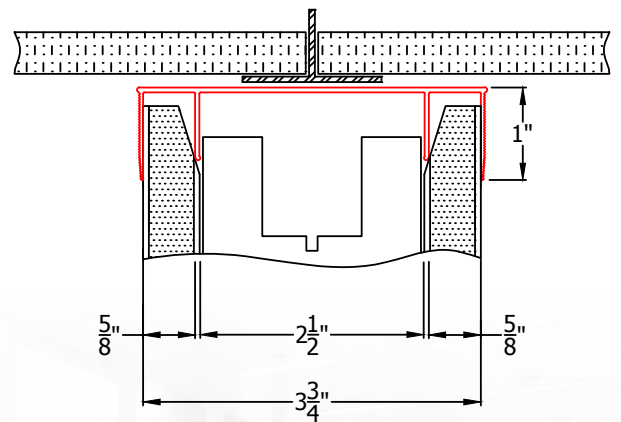
- Clear 202 R1
- Black 356 polyurethane
- Bronze 392 polyurethane

375 SERIES REVEAL
PART NUMBER 8004



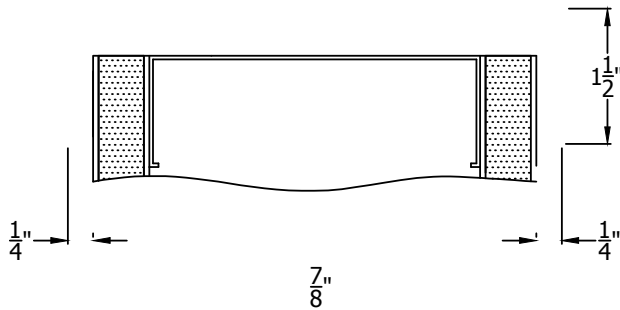
- Clear 202 R1
- Black 356 polyurethane
- Bronze 392 polyurethane

375 SERIES FLUSH
PART NUMBER 8007



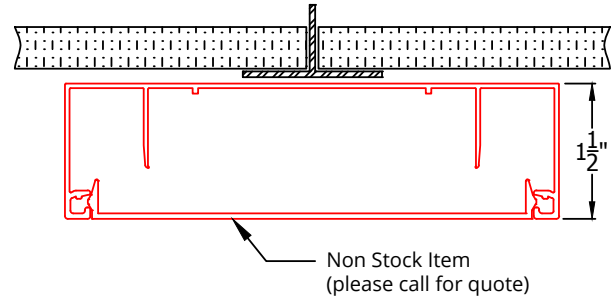
- Mill finish

487 SERIES END CAP
PART NUMBER 8001



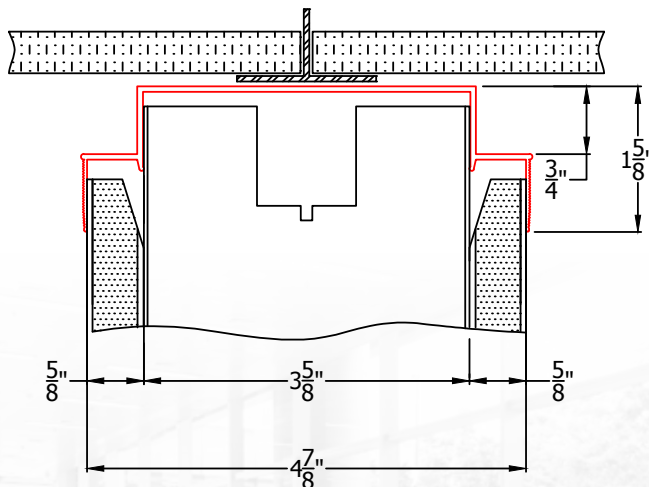
- Clear 202 R1
- Black 356 polyurethane
- Bronze 392 polyurethane

487 SERIES HEAD TRACK
WITH FLUSH CLOSURE
PART NUMBER 8003



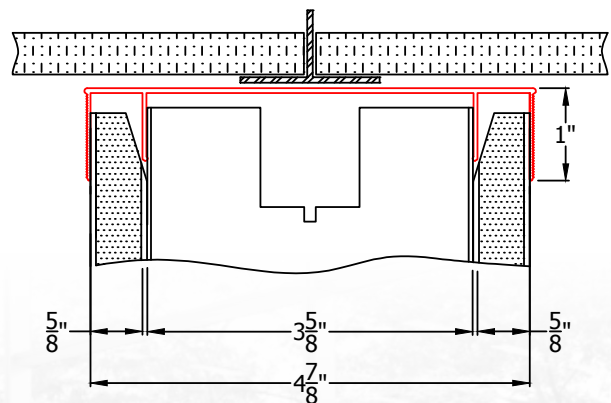
- Clear 202 R1
- Black 356 polyurethane
- Bronze 392 polyurethane

487 SERIES REVEA
PART NUMBER 8006L



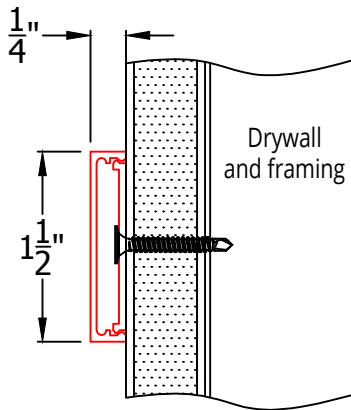
- Clear 202 R1
- Black 356 polyurethane
- Bronze 392 polyurethane

487 SERIES FLUSH
PART NUMBER 8008



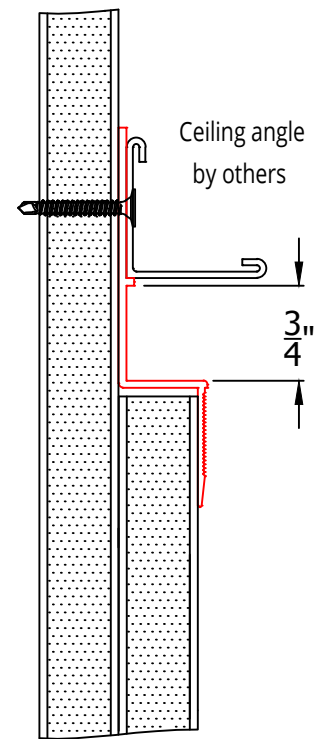
- Mill finish

Dummy Trim & Clip
Part Number 8009 & 9803



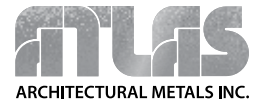
- Clear 202 R1
- Black 356 polyurethane
- Bronze 392 polyurethane

3/4 Reveal Trim
Part Number 8005



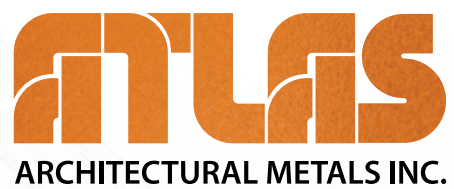
- Clear 202 R1
- Black 356 polyurethane
- Bronze 392 polyurethane

Drywall Alluminium



PART NO.	DESCRIPTION	FINISH	SIZE	RACE REF. NO.
800C110	375-END CAP	9'2"	PR 1A	
800D110	375-END CAP	BLACK	9'2"	PR 1A
800B110	375-END CAP	BRONZE	9'2"	PR 1A
8001C110	487-END CAP	BRONZE	9'2"	PR 1A
8001CD110	487-END CAP	BLACK	9'2"	PR 1A
8001B110	487-END CAP	BRONZE	9'2"	PR 1A
8002C127	375-HEADTRACK	CLEAR	10'7"	PR 1
8002D127	375-HEADTRACK	BLACK	10'7"	PR 1
8002B127	375-HEADTRACK	BRONZE	10'7"	PR 1
8003C127	487-HEADTRACK	CLEAR	10'7"	PR 1
8003D127	487-HEADTRACK	BLACK	10'7"	PR 1
8003B127	487-HEADTRACK	BRONZE	10'7"	PR 1
8003C127	DUMMY TRIM	CLEAR	12'	PR 21
8003D127	DUMMY TRIM	BLACK	12'	PR 21
8003B127	DUMMY TRIM	BRONZE	12'	PR 21
8004D144	375-3/4 REVEAL	BLACK	12'	FS 4
8005D144	375-3/4 REVEAL TRIM	BLACK	12'	FS 4 MB
8006D144	487-3/4 REVEAL	BLACK	12'	FS 4
8007M144	375-FLUSH	MILL	12'	FS 5
8008M144	487-FLUSH	MILL 12'	FS 5	
ACCESORIES				
9800XXX	SPLICE PLATE	X	X	X
9801XXX	ROLL PIN	X	X	X
9802XXX	SPLICE PLATE 90°	X	X	X
9803XXX	DUMMY TRIM CLIP	X	X	X

(All material above is in stock and available through will call/ Please call for prices)



11940 Brittmoore Park Dr.
Houston, TX 77041

P: 713-869-9551

F: 713-869-4254

atlasarchmetals.com