

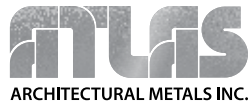
**THE SYMBOL  
OF SERVICE**

## **MALL SLIDERS**

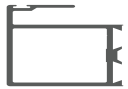





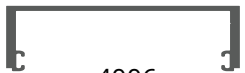

11940 Brittmoore Park Dr. Houston, TX 77041  
**P: 713-869-9551 F: 713-869-4254**  
**[atlasarchmetals.com](http://atlasarchmetals.com)**



2024



**Mall Sliders**  
(Narrow & Wide Stile)

ITEM	DESCRIPTION	STOCK LENGHT	FINISH		
 4000	INTERLOCK	21' - 2"	CLEAR	BRONZE	BLACK
 4001	INTERLOCK WIDE STILE	21' - 2"	CLEAR	BRONZE	BLACK
 4002	BOTTOM	21' - 2"	CLEAR	BRONZE	BLACK
 4003	BOTTOM	21' - 2"	CLEAR	BRONZE	BLACK
 4004	JAMB	24' - 1"	CLEAR	BRONZE	BLACK
 4005	DOUBLE HEAD TRACK	24' - 1"	CLEAR	BRONZE	BLACK
 4006	SINGLE HEAD	24' - 1"	CLEAR	BRONZE	BLACK
 4007	INTERLOCK JAMB	24' - 1"	CLEAR	BRONZE	BLACK

## Mall Sliders

(Narrow & Wide Stile)



MALL SLIDERS

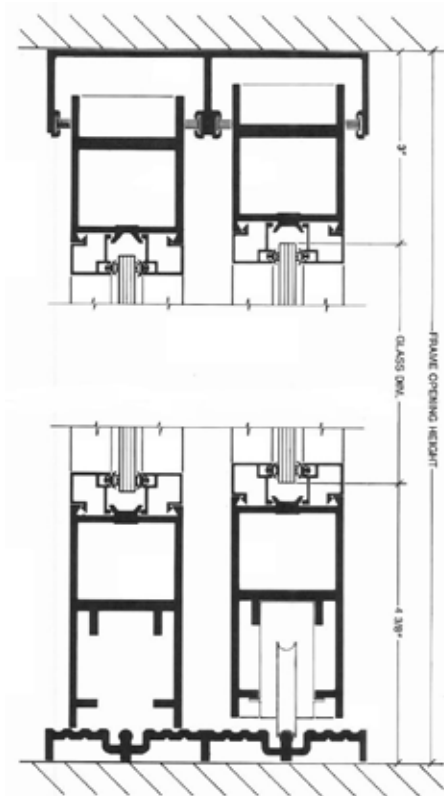
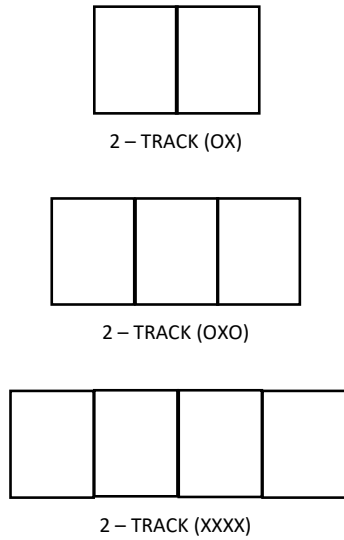
ITEM	DESCRIPTION	STOCK LENGHT	FINISH		
 4009	DOUBLE BOTTOM TRACK	24' - 2"	MILL		BLACK
 4010	SINGLE BOTTOM TRACK	24' - 2"	MILL		BLACK
 4011	BOTTOM TRACK RAMP	24' - 2"	MILL		
 4008	HANDLE	4"	CLEAR	BRONZE	
 4018	LOCK GUARD	14' - 4"	CLEAR	BRONZE	

(Not in stock, call for prices)



## Custom 760 Mall Slider

The Atlas 760 Slider is a classic design sure to give a timeless look to your contemporary interior design. Atlas doors are designed and fabricated to fit your opening according to your exact specifications. Using precise CNC machinery, we offer quality doors that are on par with our more expensive competitors but also affordable for the consumer.



Finishes available:	Bronze Anodize
	Clear Anodize
	Powder Coat
	Black Anodized
Top rail height:	2" / 2.125"
Mid rail height:	2.25"
Bottom rail height:	3.5"
Door thickness:	1.75"
Glazing thickness:	1/4", 3/16", 1/2", 9/16", 1"

# ATLAS, INC.

## 760 NARROW STILE MALL SLIDER FOR 1/4" & 1" GLAZING

GL-1

GL-2

### PROJECT SPECIFICATIONS

SYSTEM	
MATERIAL FINISH	TBA
GLASS SCHEDULE	GL1:

### TABLE OF CONTENTS

SHEET	DWG	DESCRIPTION
1	COVER	COVER SHEET
2	2.01	ELEVATION & DETAILS
3	2.02	ELEVATION & DETAILS
4	2.03	ELEVATION & DETAILS
5	2.04	ELEVATION & DETAILS
6	2.05	ELEVATION
7	2.06	DETAILS
8	3.00	DETAILS
9	3.01	DETAILS

SHEET #

1

DRAWN BY:

GJR

DATE:

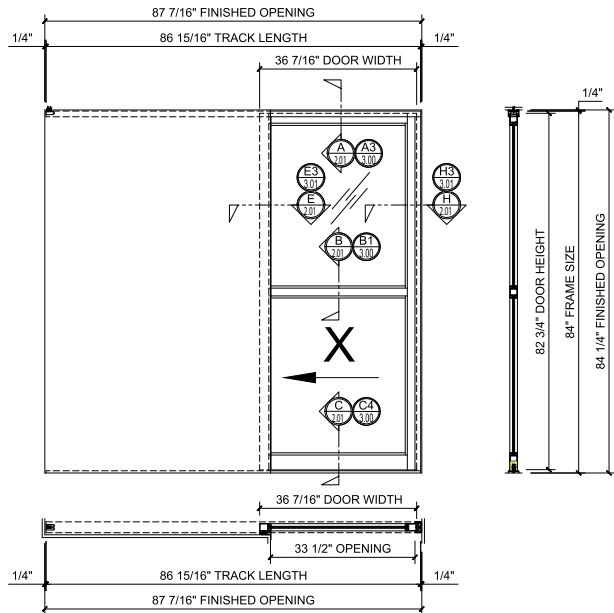
2-22-2024

SCALE:

AS NOTED

11940 BRITTMOORE PARK DR.  
HOUSTON, TX. 77041  
P: 713-869-9551 F: 713-869-4254  
[www.atlasarchmetals.com](http://www.atlasarchmetals.com)

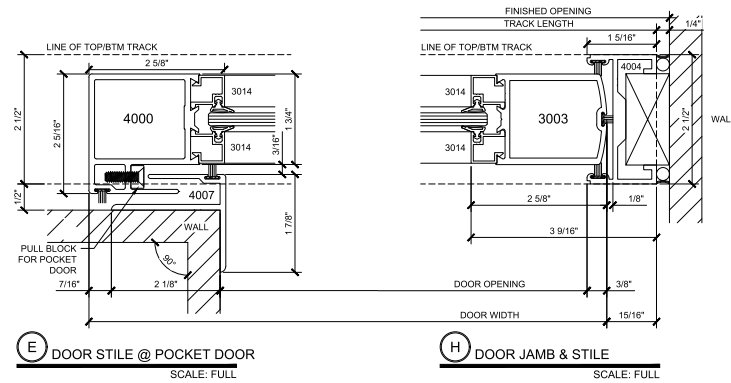
**ATLAS**  
ARCHITECTURAL METALS INC.



**1 ELEVATION**

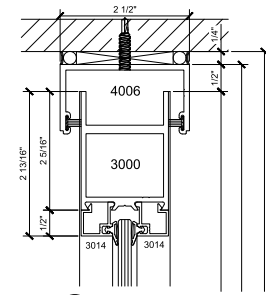
ARCH REF: NONE SCALE: 1"=1'-0"

ATLAS NARROW STYLE 760 MALL  
SLIDER PART NUMBER: MS101

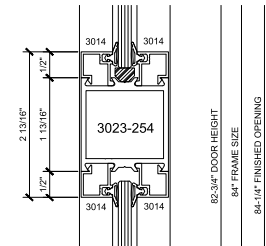


**E DOOR STILE @ POCKET DOOR**  
SCALE: FULL

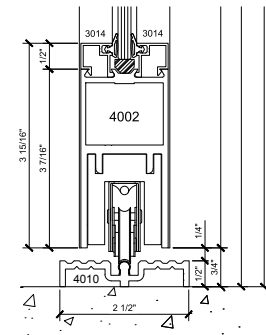
**H DOOR JAMB & STILE**  
SCALE: FULL



**A TOP DOOR RAIL**  
SCALE: FULL



**B INTERMEDIATE MUTIN BAR**  
SCALE: FULL



**C BTM DOOR RAIL & ROLLER**  
SCALE: FULL

SHEET #

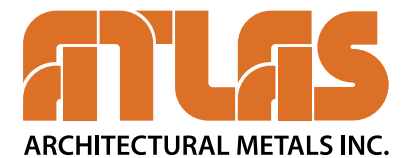
2.01

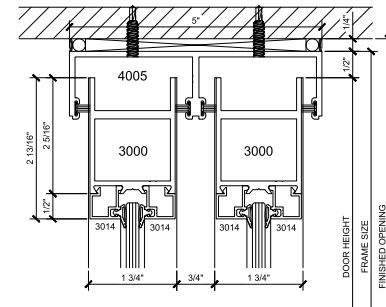
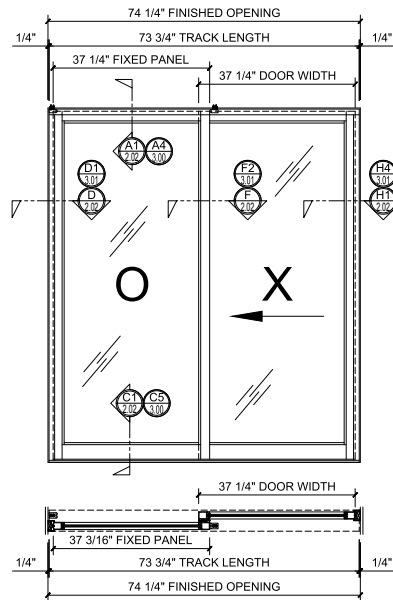
**DRAWN BY:** GJR

**DATE:** 2-22-2024

**SCALE:** AS NOTED

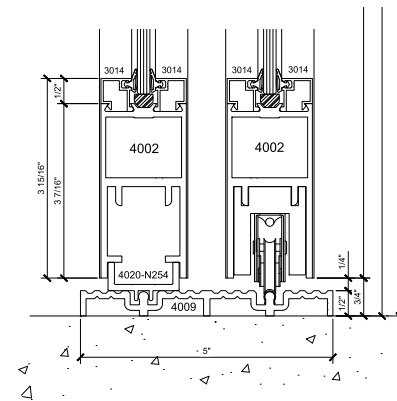
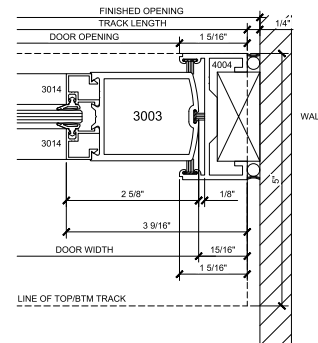
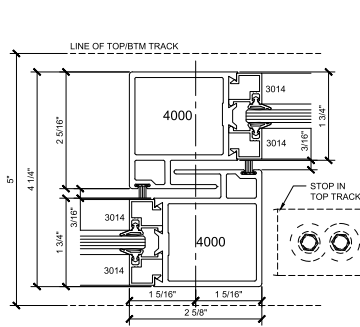
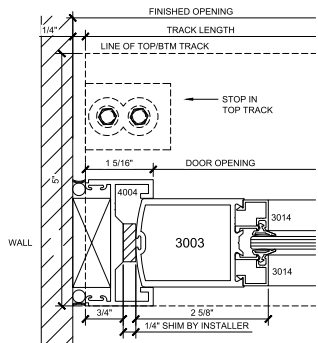
11940 BRITTMOORE PARK DR.  
HOUSTON, TX. 77041  
P: 713-869-9551 F: 713-869-4254  
[www.atlasarchmetals.com](http://www.atlasarchmetals.com)





**2 ELEVATION**  
 ARCH REF: NONE SCALE: 1"=1'-0"  
 ATLAS NARROW STYLE 760 MALL  
 SLIDER PART NUMBER: MS211

**A1 TOP DOOR RAIL**  
 SCALE: FULL



**D FIXED PANEL JAMB & STILE**  
 SCALE: FULL

**F DOOR INTERLOCK**  
 SCALE: FULL

**H1 DOOR JAMB & STILE**  
 SCALE: FULL

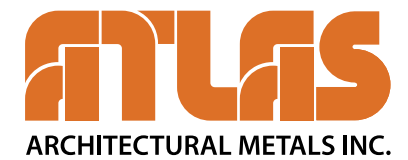
**C1 BTM DOOR RAIL & ROLLER**  
 SCALE: FULL

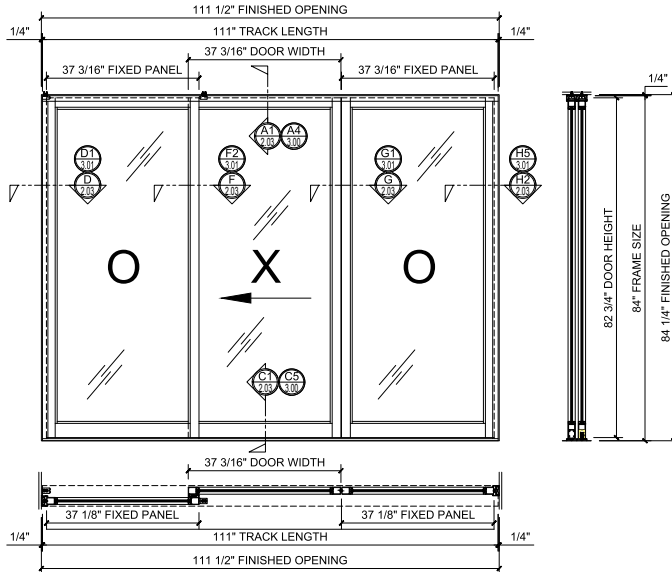
SHEET #

2.02

<b>DRAWN BY:</b>	GJR
<b>DATE:</b>	2-22-2024
<b>SCALE:</b>	AS NOTED

11940 BRITTMOORE PARK DR.  
 HOUSTON, TX. 77041  
 P: 713-869-9551 F: 713-869-4254  
[www.atlasarchmetals.com](http://www.atlasarchmetals.com)

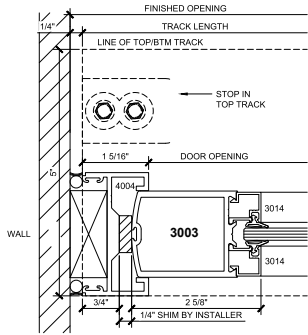
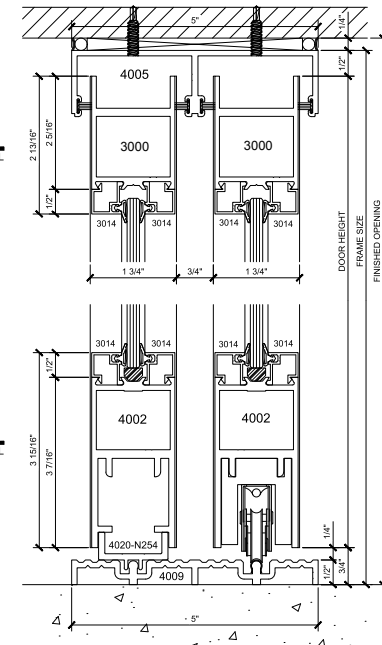




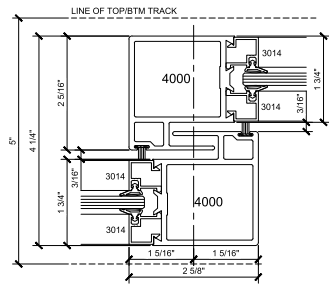
**3 ELEVATION**  
 ARCH REF: NONE SCALE: 1"=1'-0"  
 ATLAS NARROW STYLE 760 MALL  
 SLIDER PART NUMBER: MS331

**A1 TOP DOOR RAIL**  
 SCALE: FULL

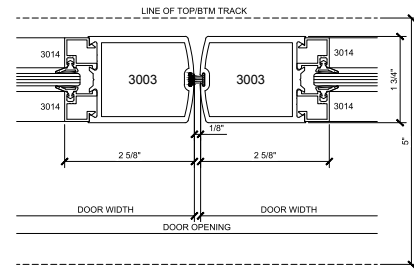
**C1 BTM DOOR RAIL & ROLLER**  
 SCALE: FULL



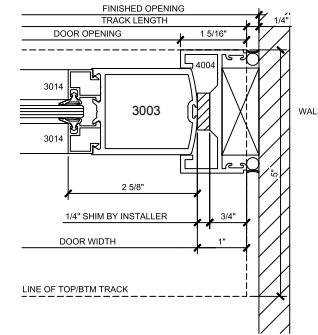
**D FIXED PANEL JAMB & STILE**  
 SCALE: FULL



**F DOOR INTERLOCK**  
 SCALE: FULL



**G DOOR MEETING STILES**  
 SCALE: FULL



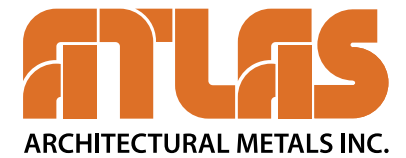
**H2 FIXED PANEL JAMB & STILE**  
 SCALE: FULL

SHEET #

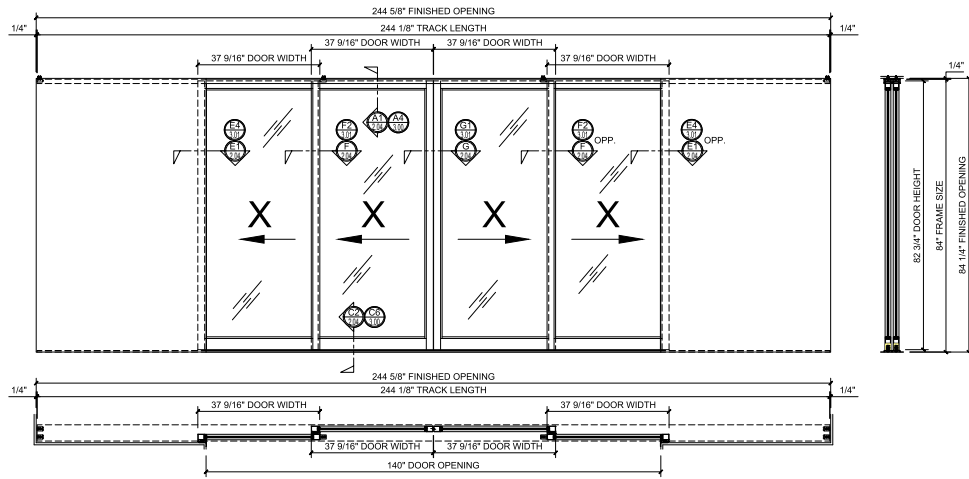
2.03

<b>DRAWN BY:</b>	GJR
<b>DATE:</b>	2-22-2024
<b>SCALE:</b>	AS NOTED

11940 BRITTMOORE PARK DR.  
 HOUSTON, TX. 77041  
 P: 713-869-9551 F: 713-869-4254  
[www.atlasarchmetals.com](http://www.atlasarchmetals.com)



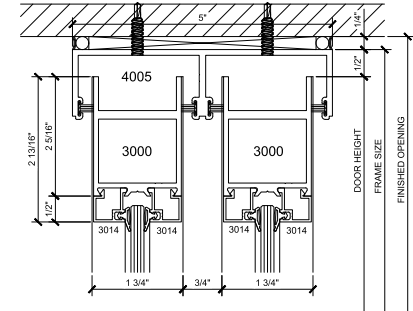




**4** ELEVATION

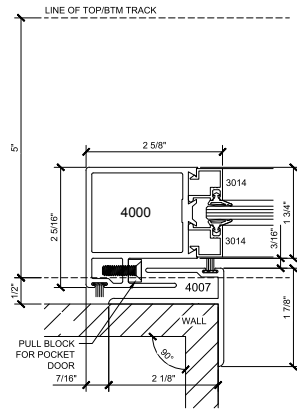
ARCH REF: NONE  
ATLAS NARROW STYLE 760 MALL  
SLIDER PART NUMBER: MS445

SCALE: 3/4"=1'-0"



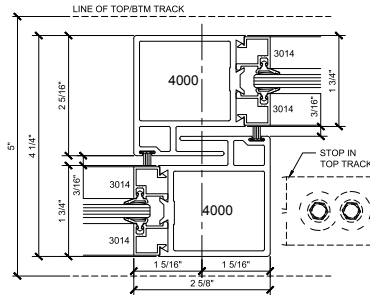
**A1** TOP DOOR RAIL

SCALE: FULL



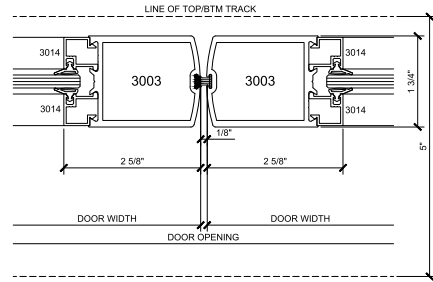
**E1** DOOR STILE @ POCKET DOOR

SCALE: FULL



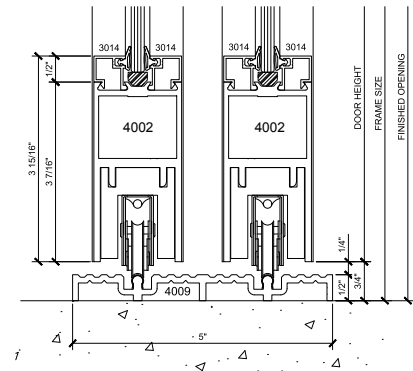
**F** DOOR INTERLOCK

SCALE: FULL



**G** DOOR MEETING STILES

SCALE: FULL



**C2** BTM DOOR RAIL & ROLLER

SCALE: FULL  
FHC NARROW STYLE 760 MALL SLIDER

SHEET #

2.04

DRAWN BY:

GJR

DATE:

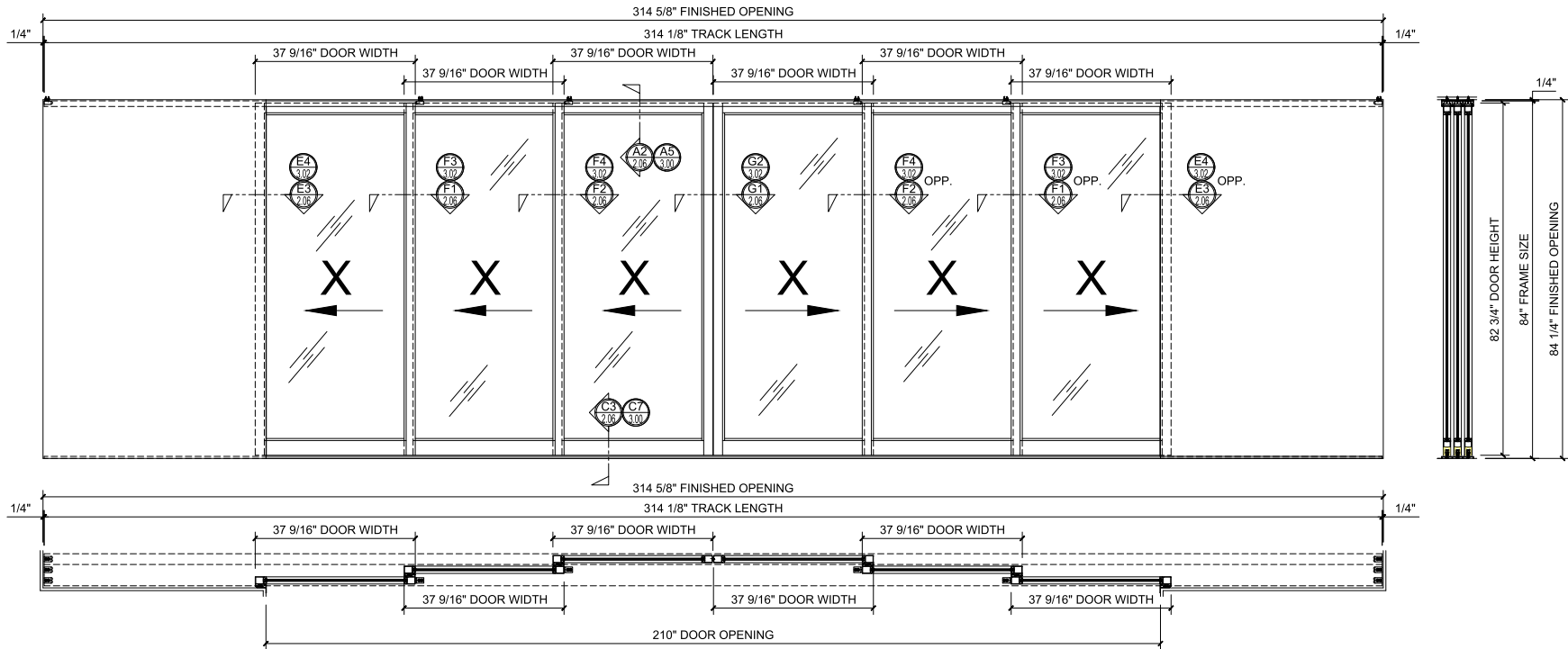
2-22-2024

SCALE:

AS NOTED

11940 BRITTMOORE PARK DR.  
HOUSTON, TX. 77041  
P: 713-869-9551 F: 713-869-4254  
[www.atlasarchmetals.com](http://www.atlasarchmetals.com)





**5** ELEVATION

ARCH REF: NONE

ATLAS NARROW STYLE 760 MALL  
 SLIDER PART NUMBER: MS661

SCALE: 1"=1'-0"

SHEET #

2.05

DRAWN BY:

GJR

DATE:

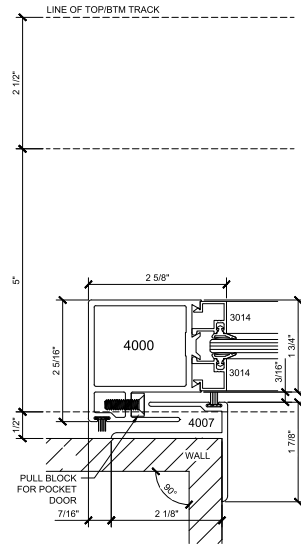
2-22-2024

SCALE:

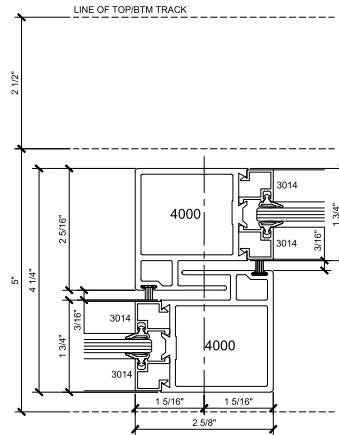
AS NOTED

11940 BRITTMOORE PARK DR.  
 HOUSTON, TX. 77041  
 P: 713-869-9551 F: 713-869-4254  
[www.atlasarchmetals.com](http://www.atlasarchmetals.com)

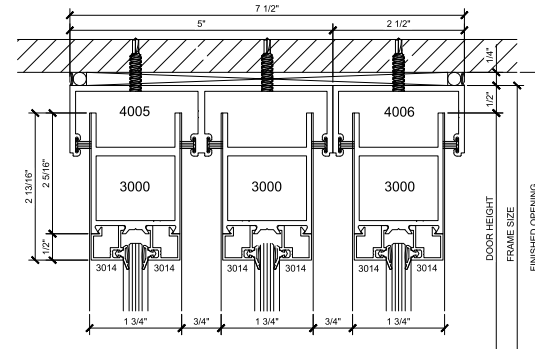




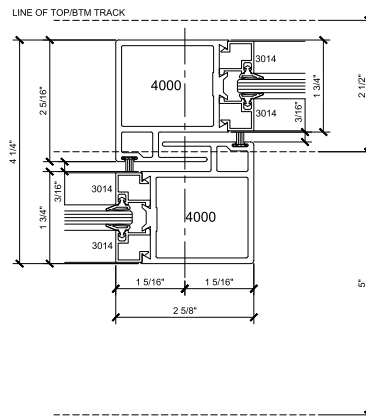
**E3** DOOR STILE @ POCKET DOOR  
SCALE: FULL



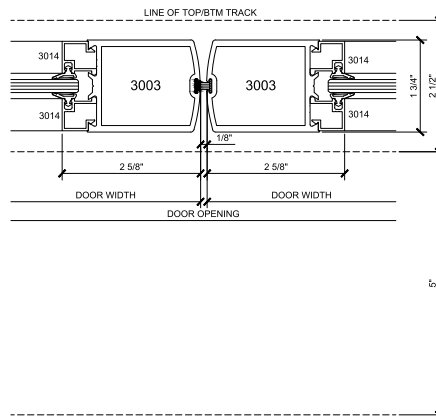
**F1** DOOR INTERLOCK  
SCALE: FULL  
FHC NARROW STYLE 760 MALL SLIDER



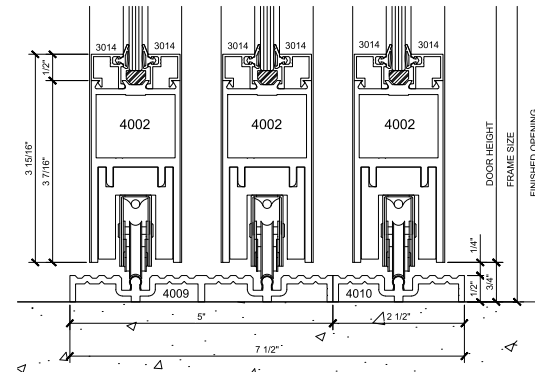
**A2** TOP DOOR RAIL  
SCALE: FULL



**F2** DOOR INTERLOCK  
SCALE: FULL



**G1** DOOR MEETING STILES  
SCALE: FULL



**C3** BTM DOOR RAIL & ROLLER  
SCALE: FULL  
FHC NARROW STYLE 760 MALL SLIDER

SHEET #

2.06

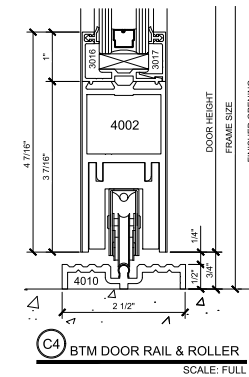
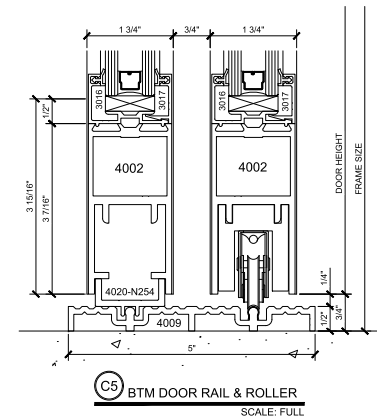
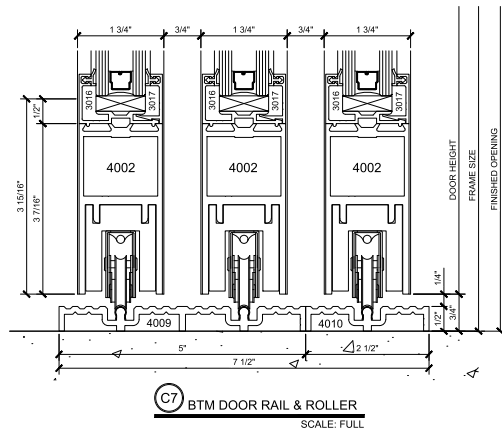
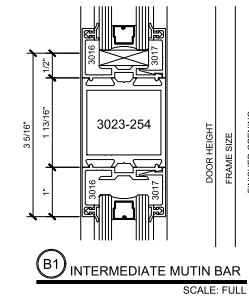
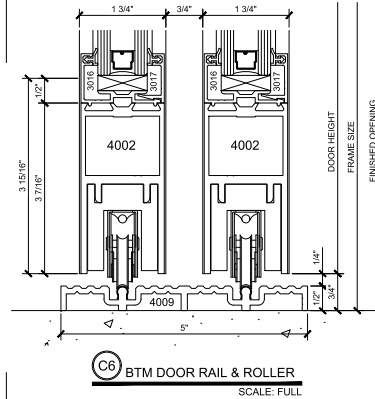
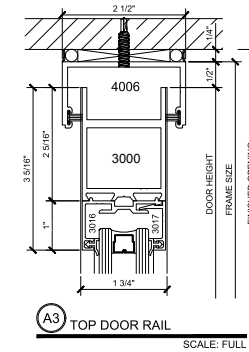
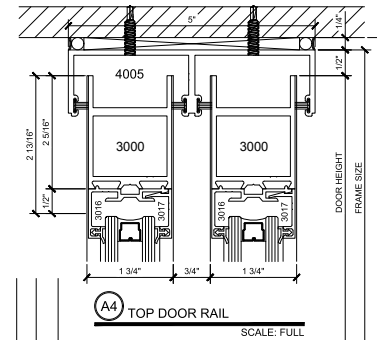
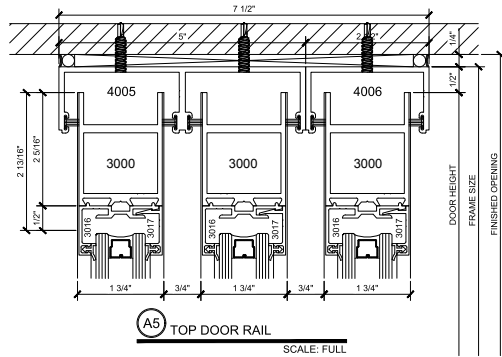
DRAWN BY: GJR

DATE: 2-22-2024

SCALE: AS NOTED

11940 BRITTMOORE PARK DR.  
HOUSTON, TX. 77041  
P: 713-869-9551 F: 713-869-4254  
[www.atlasarchmetals.com](http://www.atlasarchmetals.com)

**ATLAS**  
ARCHITECTURAL METALS INC.



SHEET #

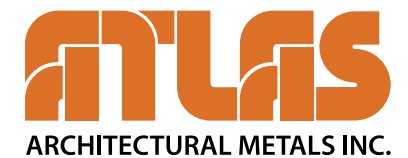
3.00

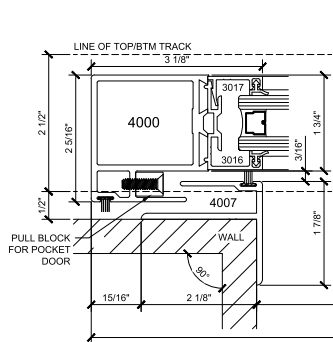
DRAWN BY: GJR

DATE: 2-22-2024

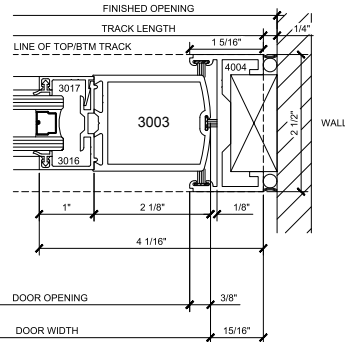
SCALE: AS NOTED

11940 BRITTMOORE PARK DR.  
HOUSTON, TX. 77041  
P: 713-869-9551 F: 713-869-4254  
[www.atlasarchmetals.com](http://www.atlasarchmetals.com)

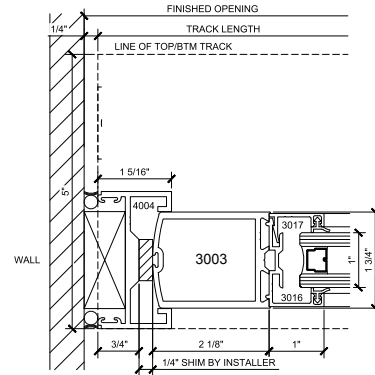




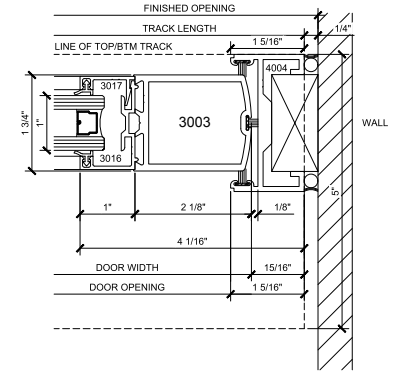
**E3** DOOR STILE @ POCKET DOOR  
SCALE: FULL



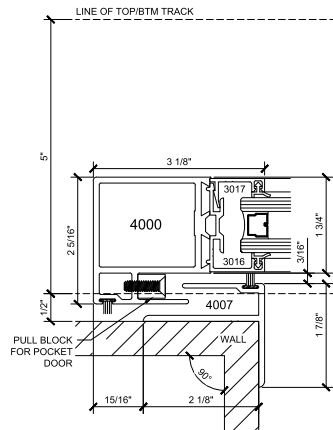
**H3** DOOR JAMB & STILE  
SCALE: FULL



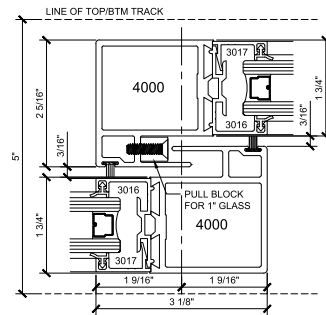
**D1** FIXED PANEL JAMB & STILE  
SCALE: FULL



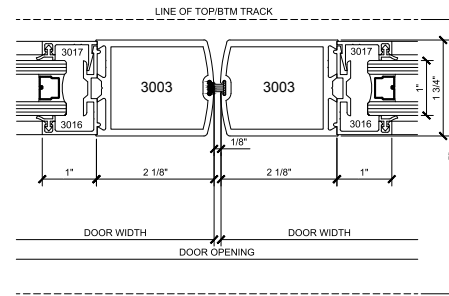
**H4** DOOR JAMB & STILE  
SCALE: FULL



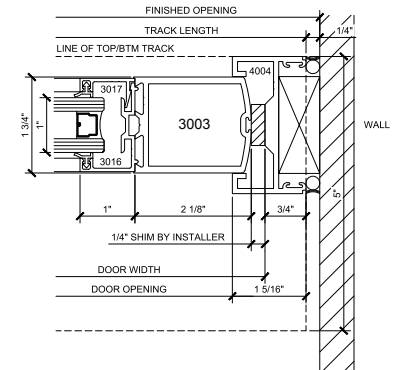
**E4** DOOR STILE @ POCKET DOOR  
SCALE: FULL



**F2** DOOR INTERLOCK  
SCALE: FULL



**G1** DOOR MEETING STILES  
SCALE: FULL



**H5** FIXED PANEL JAMB & STILE  
SCALE: FULL

SHEET #

3.01

DRAWN BY:

GJR

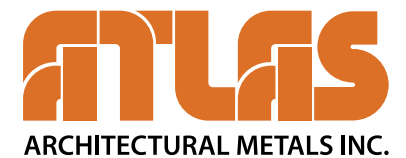
DATE:

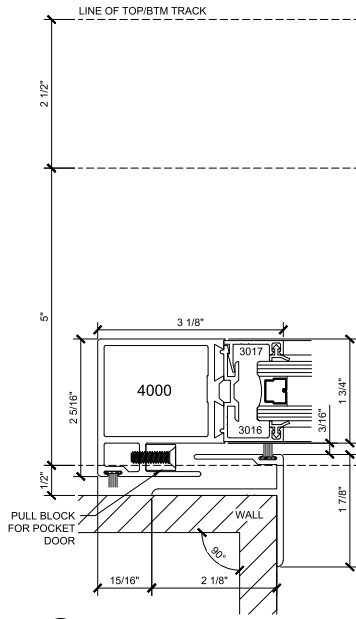
2-22-2024

SCALE:

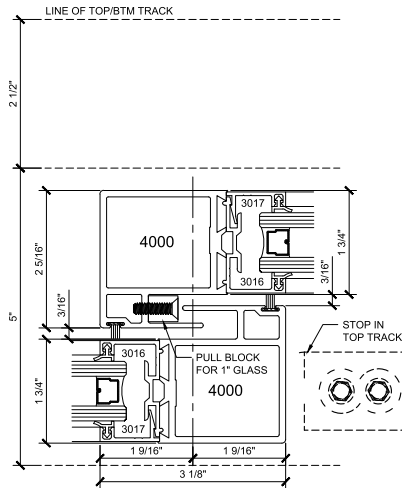
AS NOTED

11940 BRITTMOORE PARK DR.  
HOUSTON, TX. 77041  
P: 713-869-9551 F: 713-869-4254  
[www.atlasarchmetals.com](http://www.atlasarchmetals.com)

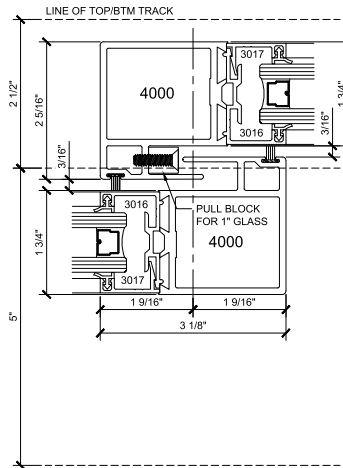




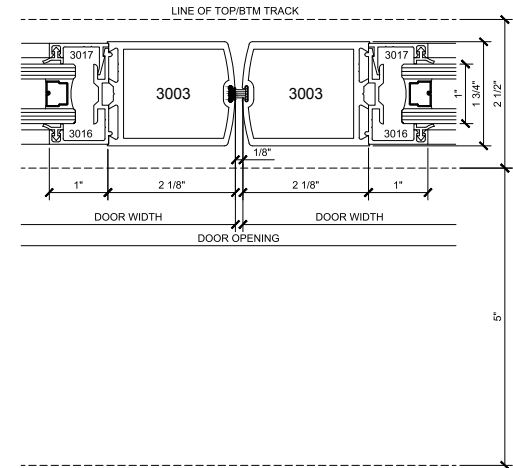
**E4** DOOR STILE @ POCKET DOOR  
SCALE: FULL



**F3** DOOR INTERLOCK  
SCALE: FULL



**F4** DOOR INTERLOCK  
SCALE: FULL  
FHC NARROW STYLE 760 MALL SLIDER



**G2** DOOR MEETING STILES  
SCALE: FULL

SHEET #

3.02

DRAWN BY:

GJR

DATE:

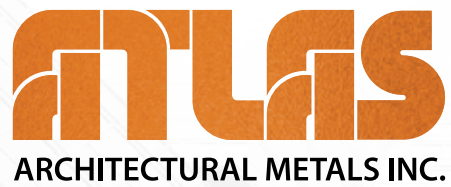
2-22-2024

SCALE:

AS NOTED

11940 BRITTMOORE PARK DR.  
HOUSTON, TX. 77041  
P: 713-869-9551 F: 713-869-4254  
[www.atlasarchmetals.com](http://www.atlasarchmetals.com)

**ATLAS**  
ARCHITECTURAL METALS INC.



11940 Brittmoore Park Dr.  
Houston, TX 77041

**P: 713-869-9551**

**F: 713-869-4254**

[atlasarchmetals.com](http://atlasarchmetals.com)